

SC12MLX MBP Compressor R404A/R507 220-240V 50Hz & 208-230V 60Hz

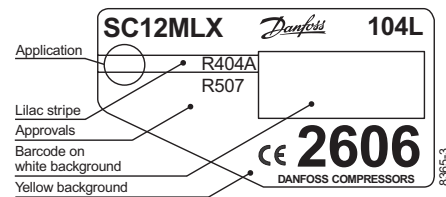
Data Sheet

General

Compressor	SC12MLX
Code number	104L2606

Application

Application	MBP	
Evaporating temperature range	°C (°F)	-23.3 to 7.2 (-10 to 45)
Voltage range	V/Hz	187 - 254 /50 187 - 254 /60
Motor type	CSIR	
Max. ambient temperature	°C (°F)	43 (110)
Comp. cooling at ambient temp.	32°C (90°F)	F ₂
	38°C (100°F)	F ₂
	43°C (110°F)	F ₂



Design

Displacement	cm ³	12.87
Oil quantity	cm ³	600
Maximum refrigerant charge	g	1300
Free gas vol. in compressor	cm ³	1410
Weight without electrical equipment	kg	13.9

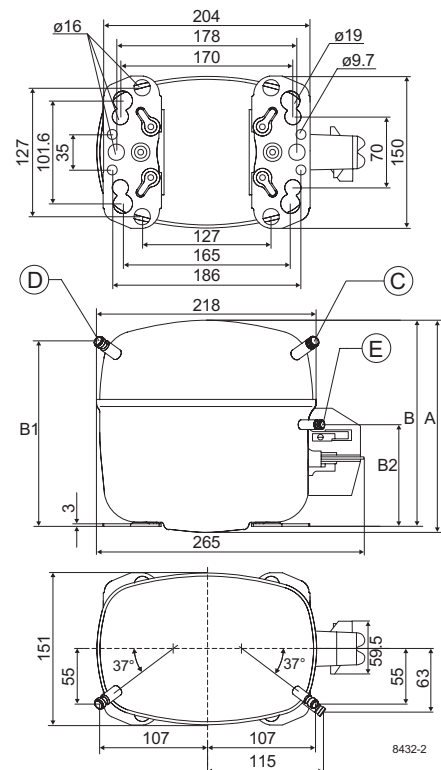
Motor

Motor size	watt	590
LRA (rated after 4 sec. UL984) HST	A	23.4
Cut-in current HST	A	23.4
Resistance, main and start winding (25°C)	Ω	3.4/14.4
Approvals	EN 60335-2-34, UL984/CSA-C22.2	

Dimensions

Height	mm	A	219
		B	213
		B1	193
		B2	110
Suction connector	location/I.D. mm	C	8.2 ±0.09
Process connector	location/I.D. mm	D	6.5 ±0.09
Discharge connector	location/I.D. mm	E	6.5 ±0.09
Compressors on a pallet	pcs.		80

- S = Static cooling normally sufficient
- O = Oil cooling
- F₁ = Fan cooling 1.5 m/s
(compressor compartment temperature equal to ambient temperature)
- F₂ = Fan cooling 3.0 m/s necessary



Conditions: ASHRAE MBP 60Hz

Evap. temp in°F	-10	0	10	14	20	30	40	45
Evap. temp in°C	-23.3	-17.8	-12.2	-10.0	-6.7	-1.1	4.4	7.2
Capacity in Btu/h	1885	2554	3335	3684	4250	5320	6564	7259
Power cons. in W	551	646	738	775	831	928	1035	1092
Current cons. in A	3.39	3.70	4.06	4.21	4.46	4.92	5.42	5.69
EER in Btu/Wh	3.42	3.95	4.52	4.75	5.12	5.73	6.34	6.64

Conditions: ASHRAE MBP 50Hz

Evap. temp in°F	-10	0	10	14	20	30	40	45
Evap. temp in°C	-23.3	-17.8	-12.2	-10.0	-6.7	-1.1	4.4	7.2
Capacity in Btu/h	1694	2252	2915	3213	3700	4622	5701	6304
Power cons. in W	507	575	641	667	705	768	829	860
Current cons. in A	3.72	3.92	4.15	4.25	4.40	4.67	4.96	5.11
EER in Btu/Wh	3.34	3.91	4.55	4.82	5.25	6.02	6.87	7.33

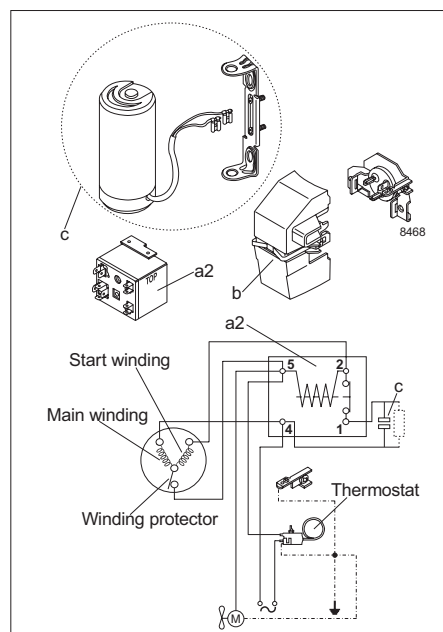
Conditions: EN 12900/CECOMAF (no subcooling) 60Hz

Evap. temp in°C	-23.3	-20	-15	-10	-6.7	-5	0	5
Evap. temp in°F	-10	-4	5	14	20	23	32	41
Capacity in W	659	773	970	1199	1370	1465	1770	2118
Power cons. in W	561	601	664	729	776	801	882	975
Current cons. in A	3.38	3.52	3.76	4.05	4.26	4.37	4.73	5.14
COP in W/W	1.18	1.29	1.46	1.64	1.77	1.83	2.01	2.17

Conditions: EN 12900/CECOMAF (no subcooling) 50Hz

Evap. temp in°C	-23.3	-20	-15	-10	-6.7	-5	0	5
Evap. temp in°F	-10	-4	5	14	20	23	32	41
Capacity in W	572	669	838	1038	1188	1272	1542	1852
Power cons. in W	493	525	572	620	651	667	714	762
Current cons. in A	3.67	3.76	3.91	4.08	4.20	4.27	4.47	4.69
COP in W/W	1.16	1.27	1.46	1.68	1.83	1.91	2.16	2.43

Test conditions	EN 12900/CECOMAF	ASHRAE
Condensing temperature	45°C	54.4°C
Return gas temperature	32°C	35.0°C
Liquid temperature	45°C	46.1°C
50Hz: Fan cooling F ₂ , 220V		
60Hz: Fan cooling F ₂ , 230V		


Accessories

Devices	Fig.	SC12MLX
Starting Relay	a2	117-7426
Starting Relay (alternative)	a2	117-7422
Cover	b	1117U1021
Starting capacitor 80 µF	c	117U5019
Mounting accessories		
Bolt joint for one compressor		118-1917
Bolt joint in quantities		118-1918
Snap-on in quantities		118-1919