

NL7F

Standard Compressor

R134a

220-240V 50Hz

Data Sheet (Replaces CG.43.K2.02)

General

Compressor	NL7F
Code number	105G6706

Application

Application	LBP
Evaporating temperature range	°C -35 to -10
Voltage range	V/Hz 198 - 254 /50
Motor type	RSIR/CSIR
Max. ambient temperature	°C 38
Comp. cooling at ambient temp.	32°C S
	38°C S

Design

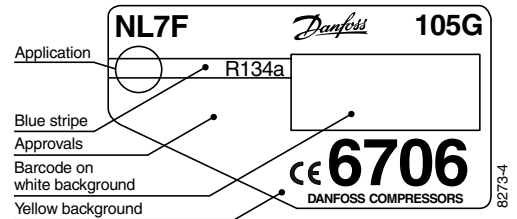
Displacement	cm ³	7.27
Oil quantity	cm ³	320
Maximum refrigerant charge	g	400
Free gas vol. in compressor	cm ³	2180
Weight without electrical equipment	kg	9.6

Motor

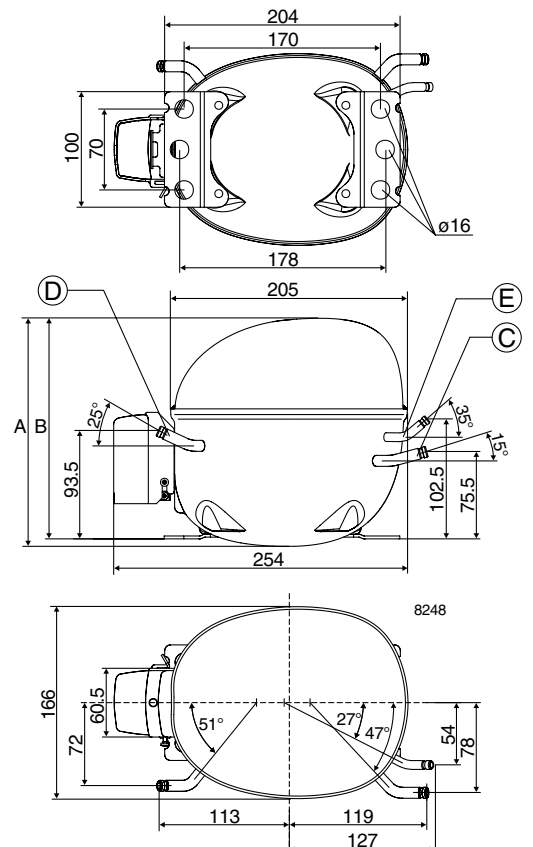
Motor size	watt	150
LRA (rated after 4 sec. UL984) LST/HST	A	5.9/5.9
Cut-in current LST/HST	A	10.4/5.9
Resistance, main and start winding (25°C)	Ω	13.3/14.1
Approvals	EN 60335-2-34 with Annex AA, CCIB	

Dimensions

Height	mm	A	190
		B	183
Suction connector	location/I.D. mm	C	6.2 ±0.09
Process connector	location/I.D. mm	D	6.2 ±0.09
Discharge connector	location/I.D. mm	E	5.0 +0.12/+0.20
Compressors on a pallet	pcs.		80



- S = Static cooling normally sufficient
- O = Oil cooling
- F₁ = Fan cooling 1.5 m/s
(compressor compartment temperature equal to ambient temperature)
- F₂ = Fan cooling 3.0 m/s necessary



Capacity (EN 12900/CECOMAF)

watt

Comp. \ °C	-35	-30	-25	-23.3	-20	-15	-10
NL7F	71	99	136	151	182	238	303

Capacity (ASHRAE)

watt

Comp. \ °C	-35	-30	-25	-23.3	-20	-15	-10
NL7F	87	122	167	186	225	293	374

Power consumption

watt

Comp. \ °C	-35	-30	-25	-23.3	-20	-15	-10
NL7F	97	121	146	155	173	201	232

Current consumption

A

Comp. \ °C	-35	-30	-25	-23.3	-20	-15	-10
NL7F	0.92	0.96	1.02	1.04	1.10	1.20	1.33

COP (EN 12900/CECOMAF)

W/W

Comp. \ °C	-35	-30	-25	-23.3	-20	-15	-10
NL7F	0.73	0.82	0.93	0.97	1.06	1.18	1.31

COP (ASHRAE)

W/W

Comp. \ °C	-35	-30	-25	-23.3	-20	-15	-10
NL7F	0.90	1.01	1.15	1.20	1.30	1.46	1.61

Test conditions

EN 12900/CECOMAF

ASHRAE

Condensing temperature

55°C

55°C

Ambient and suction gas temp.

32°C

32°C

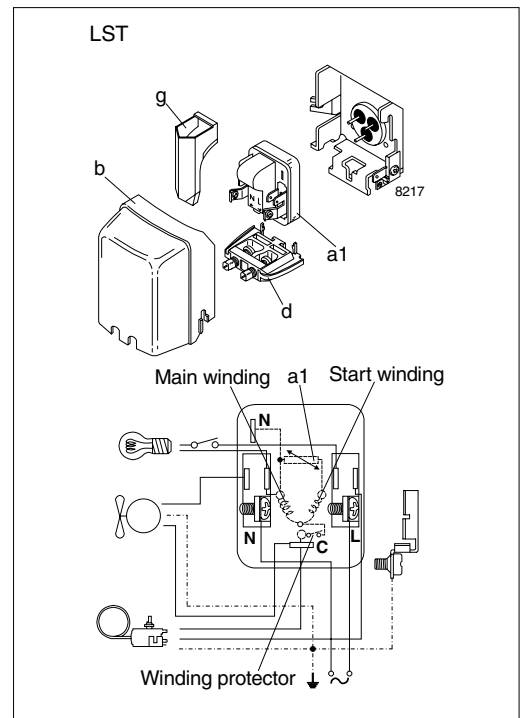
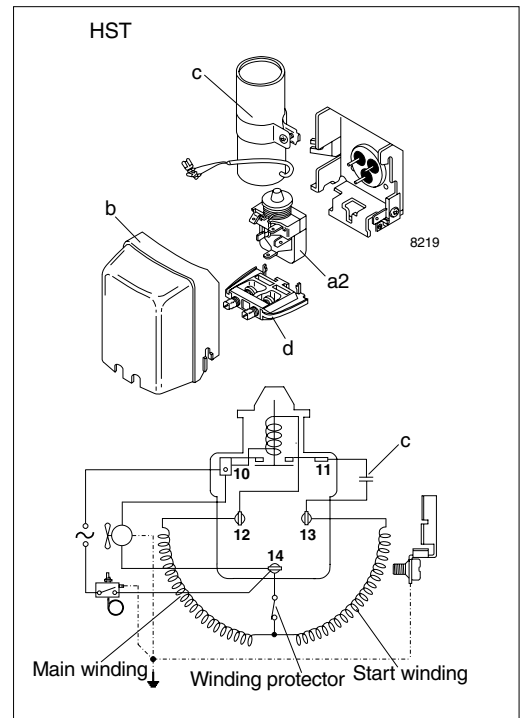
Liquid temperature

55°C

32°C

Static cooling, 220V 50Hz,

PTC consumption incl.



Accessories

Devices	Fig.	NL7F
PTC starting device 6.3 mm spades 4.8 mm spades	a1	103N0011
		103N0018
Starting relay	a2	117U6000
Cover	b	103N2010
Starting capacitor 80 µF	c	117U5015
Cord relief	d	103N1010
Protection screen for PTC	g	103N0476
Mounting accessories		
Bolt joint for one compressor		118-1917
Bolt joint in quantities		118-1918
Snap-on in quantities		118-1919